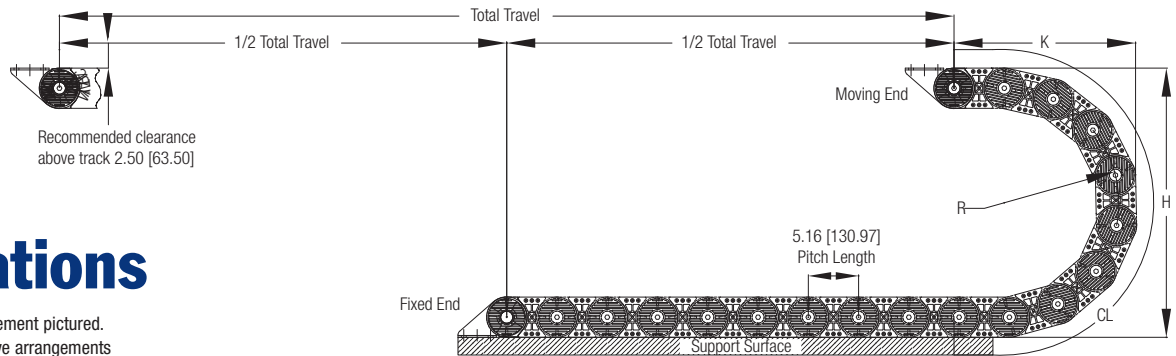


The TL Series

The TL series is a large size modular link plastic carrier. These user-friendly cable carriers may be ordered with a number of options, including snap-open or bolt-in bars and replaceable wear surfaces. The TL series is excellent for robotics, long travel and heavy-duty industrial applications.



Specifications

Standard Mounting bracket arrangement pictured.
Please consult factory for alternative arrangements

Travel/2 + CL (+ Offset Distance From Center*) = Length

* Gortrac recommends mounting the stationary end of the carrier at the center of travel, minimizing the required length. In cases where center mounting is not possible, add the distance offset from center to the carrier length calculation.

Gortrac® Recommends: 10% Cable Clearance
20% Hose Clearance
60% Maximum Fill

How To Create A Part Number: Model - Bar Width (PR, AF & RB Style Bars only) - Height - # of Separators - Length"

Sample Part #: **TL466F-160-1-100"** **TLPR-8"-200-1-100"**

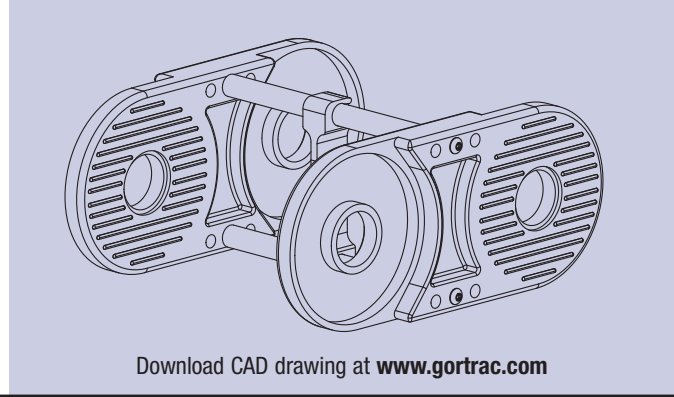
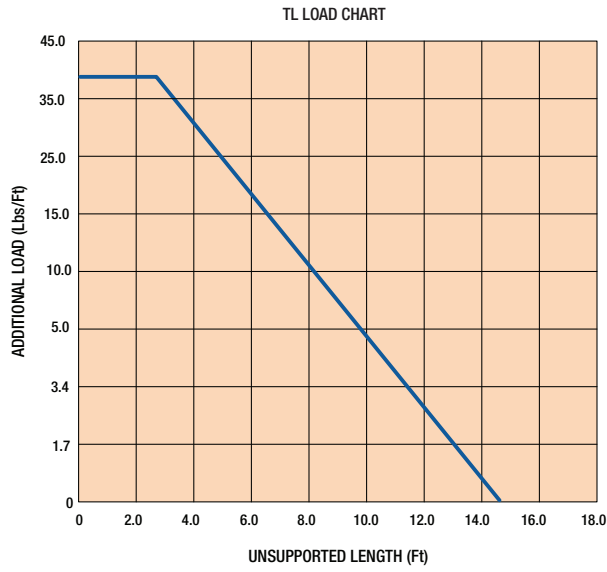
TL Series Design Guide

Model#	A INCHES/mm	C INCHES/mm	Weight #/Ft. KG/m	
TL394F	3.93/99.82	5.87/149.10	2.80/4.17	
TL466F	4.65/118.11	6.59/167.39	2.85/4.24	
TL573F	5.73/145.54	7.67/194.82	2.90/4.32	
TL789F	7.88/200.15	9.82/249.43	2.95/4.39	
TL968F	9.68/245.87	11.62/295.15	3.00/4.46	
TL1184F	11.84/300.48	13.77/349.76	3.05/4.54	
TL1363F	13.63/346.20	15.57/395.48	3.10/4.61	
TLPR	CUSTOMER SPECIFIED	A+1.94/49.28	2.90/4.32	
TLAF	CUSTOMER SPECIFIED	A+1.94/49.28	2.90/4.32	
TLRB	CUSTOMER SPECIFIED	A+1.94/49.28	2.90/4.32	

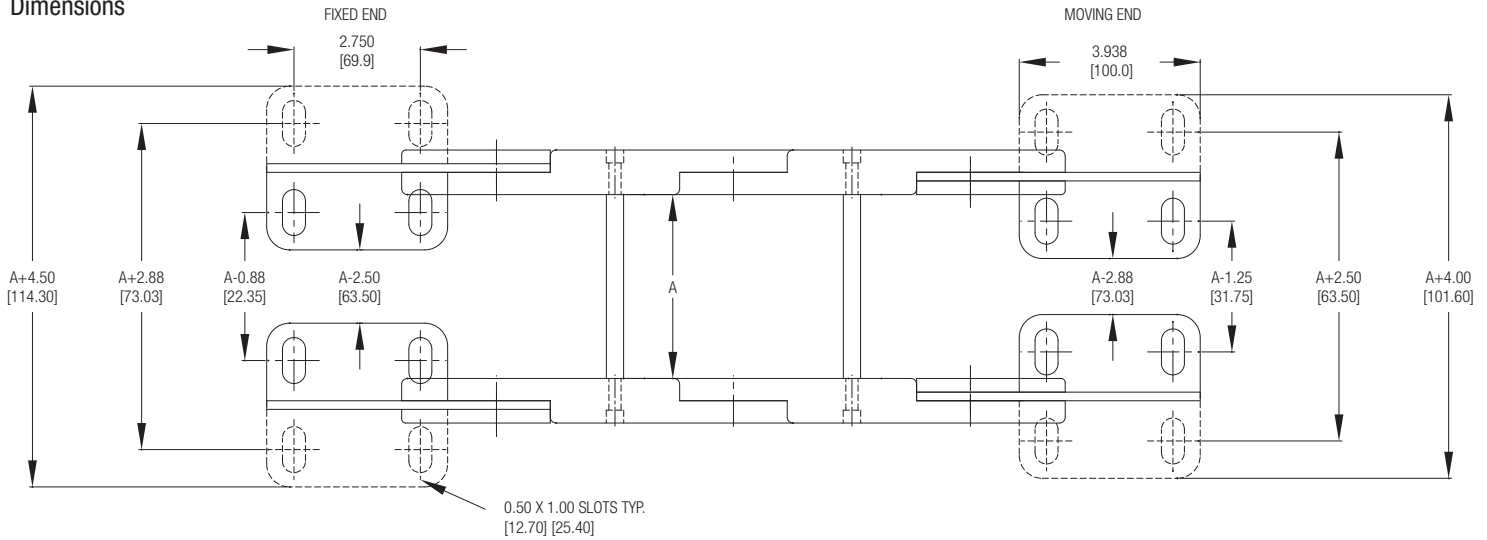
Cross Bar Styles (Top and Bottom)	F = Snap Out Plastic Flat Bar PR = Poly Roller over Bolted Aluminum Round Bar AF = Aluminum Flat Bar RB = Aluminum Roundbar			
Height	R INCHES/mm	H INCHES/mm	K INCHES/mm	CL INCHES/mm
160	5.81/147.57	15.75/400.05	14.50/368.30	28.25/717.55
200	7.94/201.68	20.00/508.00	16.70/424.18	35.25/895.35
237	9.81/249.17	23.75/603.25	18.50/469.90	41.00/1041.40
275	11.75/298.45	27.63/701.80	20.50/520.70	47.00/1193.80
350	15.63/397.00	35.38/898.65	24.40/619.76	59.00/1498.60
415	18.94/481.08	42.00/1066.80	27.70/703.58	69.50/1765.30
525	24.69/627.13	53.50/1358.90	33.40/848.36	87.50/2222.50

Rollers

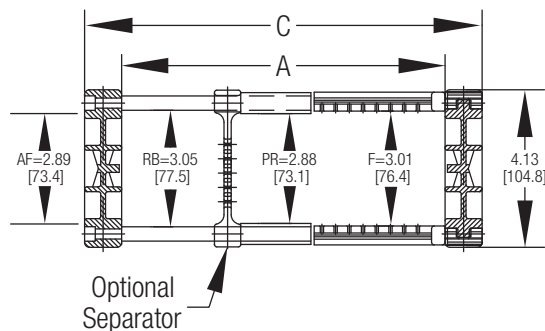
Poly rollers provide a low friction, mechanical wear surface ideal for hoses and soft-jacketed cables. Easily incorporated into any carrier system utilizing round bars, poly rollers are a simple, cost-effective solution to many demanding applications. They can also be used as vertical separators and horizontal dividers.

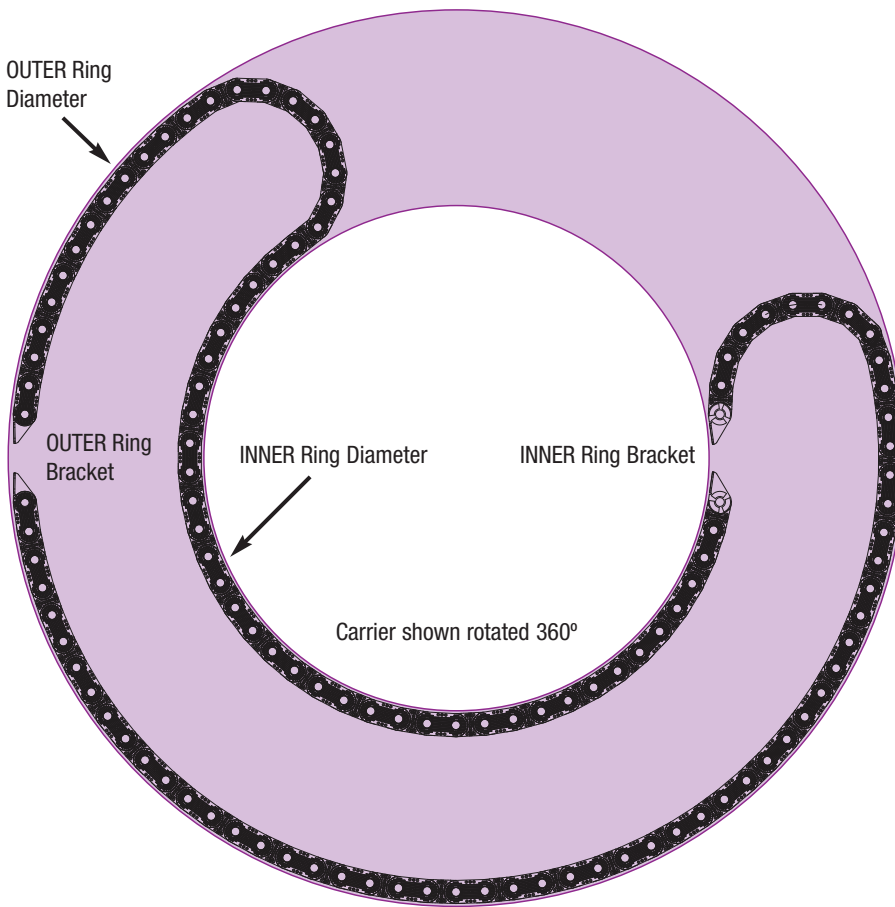


Top View Mounting Hole Dimensions



Carrier Cross Sectional View





Rotational Application

Rotary applications are achieved by running a carrier that has been modified for reverse bending movement on its side. The carrier is equipped with polymer slide blocks or casters for low-friction gliding. The reverse bend is achieved by insert molding or through machining at specific points along the travel to maintain maximum control of the carrier's travel path.

Please complete the information required below to design a rotary application.

Degree of Rotation: _____

Inner Ring Diameter: _____

Outer Ring Diameter: _____

Velocity: _____

Duty Cycle: _____

Fill Package: _____

Please specify which bracket is rotating:

INNER OUTER

How to Order

Travel/2 + Curve Length (+ Offset Distance From Center*) = Length

* Gortrac recommends mounting the stationary end of the carrier at the center of travel, minimizing the required length. In cases where center mounting is not possible, add the distance offset from center to the carrier length calculation.

Gortrac® Recommends: 10% Cable Clearance
20% Hose Clearance
60% Maximum Fill

How To Create A Part Number: Model - Bar Width (PR, AF & RB Style Bars only) - Height - # of Separators - Length"

Sample Part #: Sample Part #: **TL466F-160-1-100"** **TLPR-8"-200-1-100"**

1. Determine Gortrac cross section desired. Allow 10% clearance over OD's of enclosed cable and 20% over OD's of hoses to prevent binding.

2. Choose radius (Use manufacturer's suggested cable/hose radius).

3. Determine total track length. See the formula above. If fixed flange is not mounted in center of travel, please send a sketch or drawing.

If Gortrac Part Number is known:

Gortrac Part #: _____

Bracket Information (See Page 7 — Standard arrangement and orientation is 1 + IN)
Please check your **arrangement** and **orientation** selection below:

1 2 3 4 IN OUT

If carrier parameters are known:*

Carrier Radius Preferred: _____

Gortrac Model #: _____

Acceleration: _____ Feet/Sec.² Maximum Machine Travel Speed: _____ Feet/Sec.

Frequency of Travel: _____ Cycles/Hour Total Machine Travel: _____ Inches

Gortrac Length (see the formula above): _____

Cable/Hose Load: _____ Operating Temperature: _____ ° F

Environment: _____

If you are currently using another cable carrier, please specify:*

Model #: _____ Length/# of Links: _____

Contact information:

Date: _____ For Quotation Only: _____

Date Required: _____ Quantity: _____

Order Number: _____

Company Name: _____

Attention: _____

Address: _____

City: _____ State/Prov: _____

Country: _____

Zip/Postal Code: _____

Telephone: _____

Fax: _____

E-Mail: _____

Please fax this completed form to the number listed below.

*More information may be required. A Gortrac representative may contact you.