

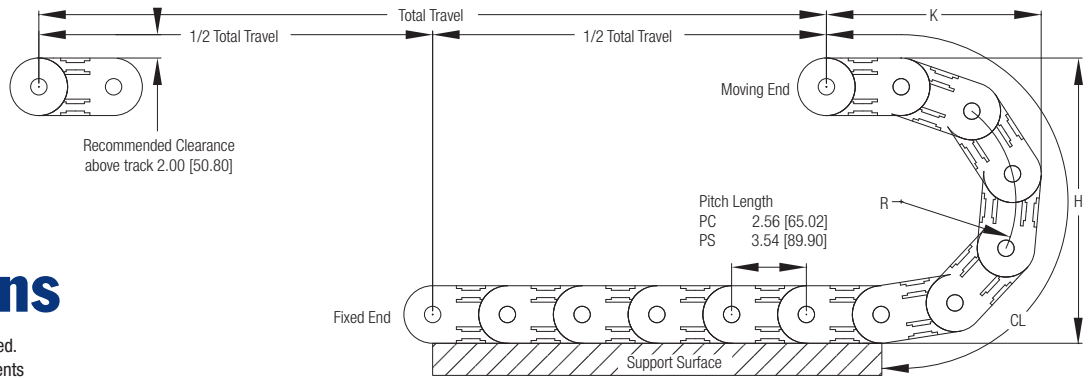
# The PC, PS Series

The PC and PS series are medium-size standard plastic link carriers. The extremely rugged design and many available options make this an excellent cable carrier for heavy duty and for long travel applications.

*\*Also available as totally enclosed carriers with snap-open lids. Please consult factory for more information.*

## Specifications

Standard Mounting bracket arrangement pictured. Please consult factory for alternative arrangements



### Travel/2 + CL (+ Offset Distance From Center\*) = Length

\* Gortrac recommends mounting the stationary end of the carrier at the center of travel, minimizing the required length. In cases where center mounting is not possible, add the distance offset from center to the carrier length calculation.

**Gortrac® Recommends:** 10% Cable Clearance  
20% Hose Clearance  
60% Maximum Fill

### How To Create A Part Number: Model # - Height - Number of Separators - Length"

Sample Part #: **PC150-8-1-72"**

## PC, PS Series Design Guide

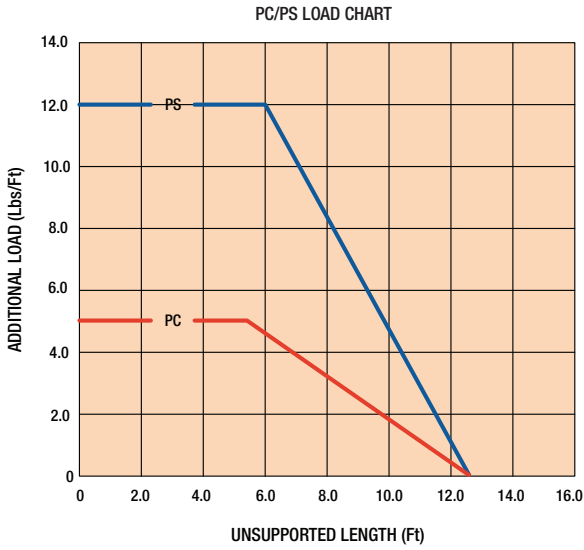
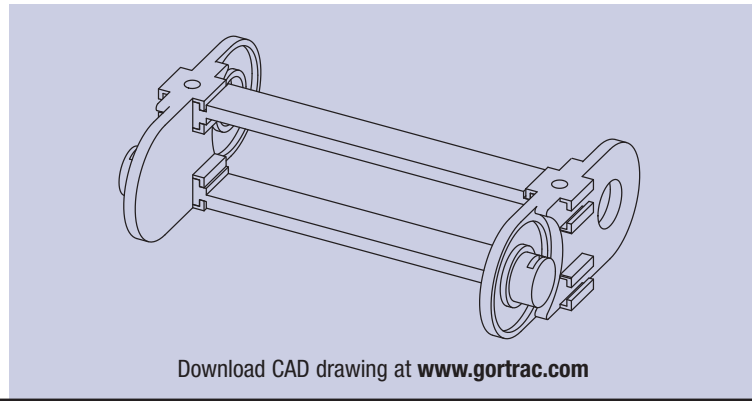
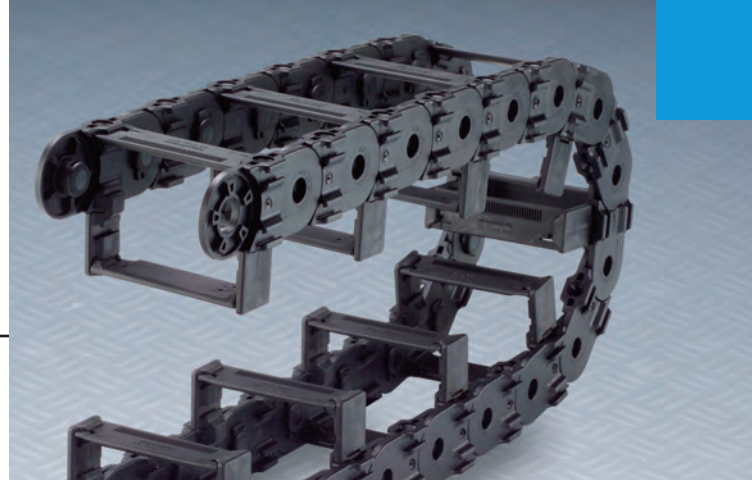
Model#	A INCHES/mm	C INCHES/mm	Q INCHES/mm	Weight #/Ft. KG/m
<b>PC</b>				
PC150	1.50/38.10	3.13/79.50	2.36/59.94	0.86/1.28
PC350	3.50/88.90	5.13/130.30	4.33/109.98	0.95/1.41
PC750	7.50/190.50	9.06/230.12	8.26/209.80	1.14/1.70
<b>PS</b>				
PS350	3.50/88.90	5.38/136.65	4.41/112.01	1.57/2.34
PS550	5.50/139.70	7.32/185.93	6.38/162.05	1.71/2.54
PS737	7.38/187.45	9.29/235.97	8.35/212.09	1.81/2.69
PS1137	11.38/289.05	13.23/336.04	12.31/312.67	2.12/3.15

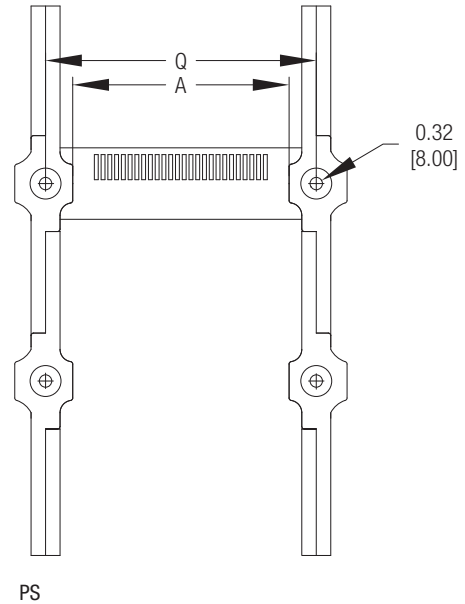
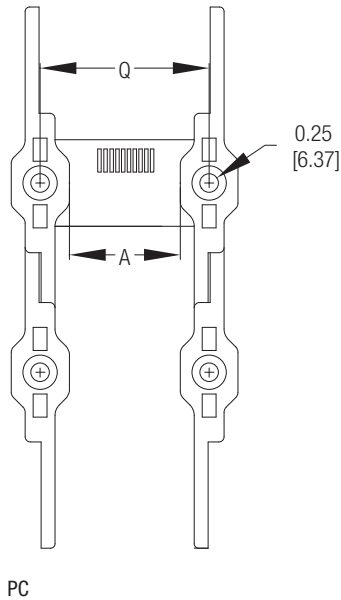
	R INCHES/mm	H INCHES/mm	K INCHES/mm	CL INCHES/mm
<b>PC Height</b>				
8	2.95/74.93	8.00/203.20	6.50/165.10	14.30/363.22
10	3.93/99.82	10.00/254.00	7.50/190.50	17.50/444.50
18	7.87/199.90	18.00/457.20	11.40/289.56	29.80/756.92
<b>PS Height</b>				
11	3.94/100.08	11.00/279.40	8.90/226.06	19.60/497.84
15	5.91/150.11	15.00/381.00	10.90/276.86	25.70/652.78
27	11.80/299.72	27.00/685.80	16.80/426.72	44.20/1122.68

# Window Extenders

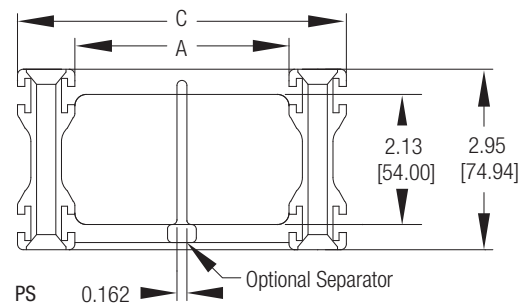
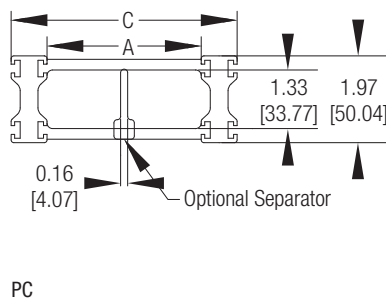
When additional cavity height is required, window extenders are a quick and easy modification that provide extra interior space in many standard link sizes. Available in both standard and custom configurations, they utilize a variety of crossbar styles, including flat bar (pictured), round bar, and poly rollers.



## Top View Mounting Hole Dimensions

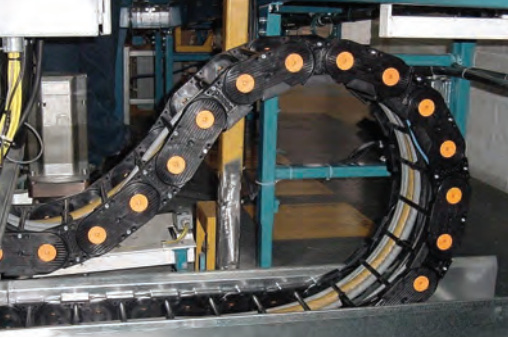


## Carrier Cross Sectional View



# Long Travel Considerations

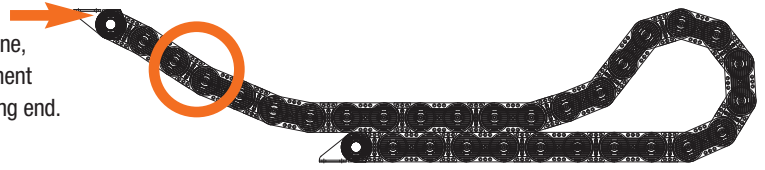
An important consideration for applications requiring plastic carriers in a guide trough is the bending moment that occurs at the moving end as the carrier is pushing, particularly when high velocities/accelerations and heavy fill weights are introduced.



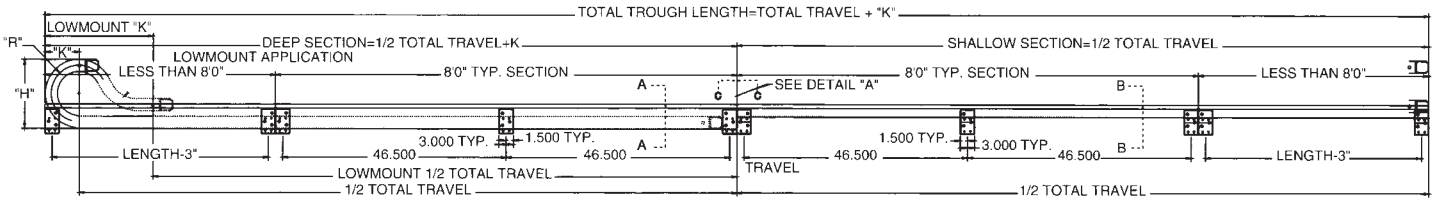
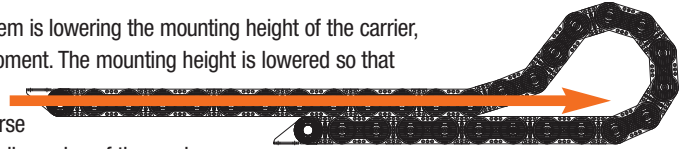
When the carrier performs under normal operation without sag, force is applied in a straight trajectory along the moving section.



As sag is introduced, the mass of the carrier falls below the force plane, creating a bending moment on the links at the moving end.



A potential solution for this problem is lowering the mounting height of the carrier, thereby reducing the bending moment. The mounting height is lowered so that the moving end begins gliding immediately as it by adding reverse bending links, extending the "K" dimension of the carrier. Gortrac® Engineering can run tow force calculations on an application to determine whether a lowered mounting height is advisable.



## How to Order

**Travel/2 + Curve Length (+ Offset Distance From Center\*) = Length**

\* Gortrac recommends mounting the stationary end of the carrier at the center of travel, minimizing the required length. In cases where center mounting is not possible, add the distance offset from center to the carrier length calculation.

**Gortrac® Recommends:** 10% Cable Clearance  
20% Hose Clearance  
60% Maximum Fill

**How To Create A Part Number: Model # - Height - Number of Separators - Length"**

Sample Part #: **KS1-5.4-1-40"**

1. Determine Gortrac cross section desired. Allow 10% clearance over OD's of enclosed cable and 20% over OD's of hoses to prevent binding.
2. Choose radius (Use manufacturer's suggested cable/hose radius).
3. Determine total track length. See the formula above. If fixed flange is not mounted in center of travel, please send a sketch or drawing.

**If Gortrac Part Number is known:**

Gortrac Part #: \_\_\_\_\_

Bracket Information (See Page 7 — Standard arrangement and orientation is 1 + IN)  
Please check your **arrangement** and ..... **orientation** selection below:

1  2  3  4  IN  OUT

**If carrier parameters are known:\***

Carrier Radius Preferred: \_\_\_\_\_

Gortrac Model #: \_\_\_\_\_

Acceleration: \_\_\_\_\_ Feet/Sec.<sup>2</sup> Maximum Machine Travel Speed: \_\_\_\_\_ Feet/Sec.

Frequency of Travel: \_\_\_\_\_ Cycles/Hour Total Machine Travel: \_\_\_\_\_ Inches

Gortrac Length (see the formula above): \_\_\_\_\_

Cable/Hose Load: \_\_\_\_\_ Operating Temperature: \_\_\_\_\_ ° F

Environment: \_\_\_\_\_

**If you are currently using another cable carrier, please specify:\***

Model #: \_\_\_\_\_ Length/# of Links: \_\_\_\_\_

**Contact information:**

Date: \_\_\_\_\_ For Quotation Only: \_\_\_\_\_

Date Required: \_\_\_\_\_ Quantity: \_\_\_\_\_

Order Number: \_\_\_\_\_

Company Name: \_\_\_\_\_

Attention: \_\_\_\_\_

Address: \_\_\_\_\_

City: \_\_\_\_\_ State/Prov: \_\_\_\_\_

Country: \_\_\_\_\_

Zip/Postal Code: \_\_\_\_\_

Telephone: \_\_\_\_\_

Fax: \_\_\_\_\_

E-Mail: \_\_\_\_\_

**Please fax this completed form to the number listed below.**

\*More information may be required. A Gortrac representative may contact you.