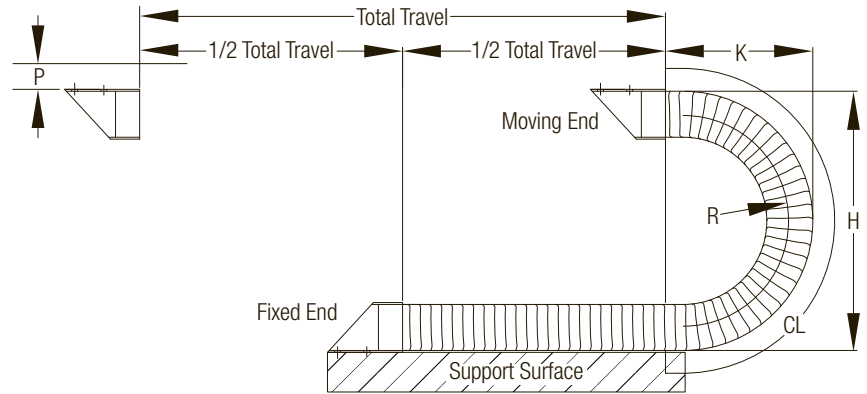




Riveted construction shown\*\*

# The GORTUBE® Series

The Gortube series entails a range of sizes from small to large. A fully enclosed carrier design from conduit-style square tubing, the Gortube line is excellent for hot chip applications, smooth running operation and for aesthetic applications. Gortube is available in galvanized steel or black anodized finishes.



## Specifications

Standard Mounting bracket arrangement pictured.  
Please consult factory for alternative arrangements

### Travel/2 + CL (+ Offset Distance From Center\*) = Length

\* Gortrac recommends mounting the stationary end of the carrier at the center of travel, minimizing the required length. In cases where center mounting is not possible, add the distance offset from center to the carrier length calculation.

### Gortrac® Recommends:

- 10% Cable Clearance
- 20% Hose Clearance
- 60% Maximum Fill

### How To Create A Part Number:

**Model # - Height - Flange Type (Standard/A/B, Applies Both Ends) - Construction Type (Riveted Only = RV) - Length"**

Sample Part #: **C2-22-A/B-RV-36"**

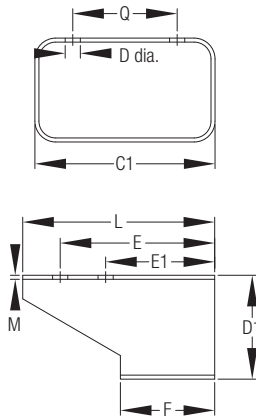
## GORTUBE Series Design Guide

Model#	A	B	C	D	Weight
	INCHES/mm	INCHES/mm	INCHES/mm	INCHES/mm	#/ft./KG/m
C0	0.90/22.86	0.62/15.75	1.18/29.97	0.79/20.07	0.40/0.60
C1	1.71/43.43	0.90/22.86	1.97/50.04	1.18/29.97	0.90/1.34
C1A	1.78/45.21	1.78/45.21	1.97/50.04	1.97/50.04	0.90/1.34
C1B	1.98/50.29	1.58/40.13	2.17/55.12	1.77/44.96	0.90/1.34
C2	2.87/72.90	1.50/38.10	3.15/80.01	1.77/44.96	1.50/2.23
C2C	3.19/81.03	1.61/40.89	3.34/84.84	1.77/44.96	1.70/2.53
C2A	3.46/87.88	1.70/43.18	3.74/95.00	1.97/50.04	2.10/3.12
C2AA	3.16/80.26	2.17/55.12	3.35/85.09	2.36/59.94	2.10/3.12

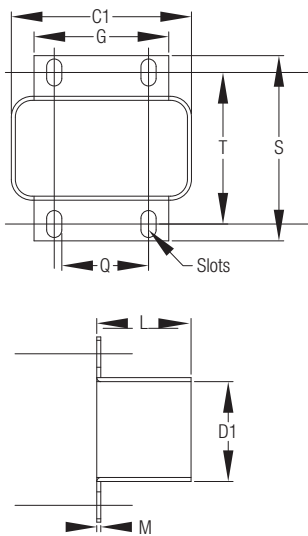
Height	R	H	K	CL	P
	INCHES/mm	INCHES/mm	INCHES/mm	INCHES/mm	INCHES/mm
<b>C0</b> 4	1.80/45.72	4.40/111.76	3.20/81.28	6.50/165.10	1.00/25.40
<b>C1</b> 6	2.40/60.96	5.90/149.86	4.00/101.60	9.00/228.60	1.50/38.10
9	4.00/101.60	9.10/231.14	5.60/142.24	15.50/393.70	1.50/38.10
13	5.90/149.86	13.00/330.20	7.50/190.50	23.50/596.90	1.50/38.10
<b>C1A</b> 10	4.00/101.60	10.00/254.00	6.00/152.40	15.50/393.70	1.50/38.10
<b>C1B</b> 9	3.50/88.90	9.00/228.60	5.50/139.70	13.50/342.90	1.50/38.10
<b>C2</b> 10	4.00/101.60	9.70/246.38	5.90/149.86	14.50/368.30	2.00/50.80
175	7.90/200.66	17.50/444.50	9.80/248.92	30.00/762.00	2.00/50.80
22	9.90/251.46	21.50/546.10	11.80/299.72	33.50/850.90	2.00/50.80
<b>C2C</b> 11	4.50/114.30	10.80/274.32	6.40/162.56	17.00/431.80	2.00/50.80
<b>C2A</b> 12	4.90/124.46	11.90/302.26	7.00/177.80	17.50/444.50	2.50/63.50
<b>C2AA</b> 135	5.50/139.70	13.50/342.90	7.70/195.58	19.00/482.60	2.50/63.50

## Standard Flange



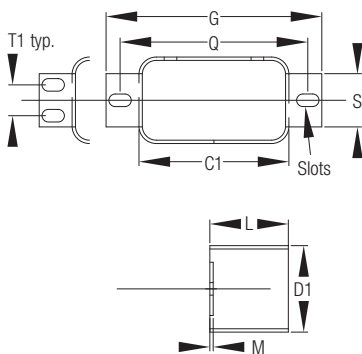
Standard	C1	D1	Q	D	E	E1	F	L	M
MODEL#	INCHES/ mm	INCHES/ mm	INCHES/ mm	INCHES/ mm	INCHES/ mm	INCHES/ mm	INCHES/ mm	INCHES/ mm	INCHES/ mm
C0	1.40/35.56	0.92/23.37	0.50/12.70	0.22/5.54	1.63/41.40	—	1.25/31.75	2.00/50.80	0.06/1.52
C1	2.12/53.85	1.28/32.51	0.88/22.35	0.28/7.14	1.75/44.45	—	1.18/29.97	2.38/60.45	0.06/1.52
C1A	2.09/53.09	2.09/53.09	0.88/22.35	0.38/9.53	1.68/42.67	—	1.18/29.97	2.38/60.45	0.06/1.52
C1B	2.32/58.93	1.91/48.51	0.88/22.35	0.28/7.14	1.75/44.45	—	1.18/29.97	2.38/60.45	0.06/1.52
C2	3.34/84.84	1.91/48.51	1.94/49.28	0.28/7.14	2.68/68.07	—	1.75/44.45	3.56/90.42	0.07/1.78
C2C	3.56/90.42	1.99/50.55	1.94/49.28	0.28/7.14	3.06/77.72	2.18/55.39	1.75/44.45	3.52/89.41	0.06/1.52
C2A	3.94/100.08	2.12/53.85	2.50/63.50	0.34/8.74	3.25/82.55	—	2.06/52.32	4.18/106.17	0.07/1.78
C2AA	3.53/89.66	2.53/64.26	1.94/49.28	0.38/9.53	3.43/87.12	2.18/55.37	1.75/44.45	4.12/104.65	0.07/1.78

## Type A Flange



Type A	C1	D1	Q	Slots	G	S	T	L	M
MODEL#	INCHES/ mm	INCHES/ mm	INCHES/ mm	INCHES/ mm	INCHES/ mm	INCHES/ mm	INCHES/ mm	INCHES/ mm	INCHES/ mm
C0	1.40/35.56	0.92/23.37	0.38/9.65	0.22 X 0.38/5.59 X 9.65	0.75/19.05	1.80/45.72	1.30/33.02	1.25/31.75	0.06/1.52
C1	2.08/52.83	1.28/32.51	0.68/17.27	0.28 X 0.50/7.11 X 12.70	1.38/35.05	2.80/71.12	2.11/53.59	1.56/39.62	0.06/1.52
C1A	2.09/53.09	2.09/53.09	0.68/17.27	0.38 X 0.63/9.65 X 16.00	1.38/35.05	4.00/101.60	3.16/80.26	2.38/60.45	0.06/1.52
C1B	2.32/58.93	1.91/48.51	0.68/17.27	0.38 X 0.63/9.65 X 16.00	1.38/35.05	3.75/95.25	2.94/74.68	2.38/60.40	0.06/1.52
C2	3.34/84.84	1.91/48.51	1.75/44.45	0.28 X 0.50/7.11 X 12.70	2.50/63.50	3.50/88.90	2.88/73.15	1.75/44.45	0.07/1.78
C2C	3.56/90.42	1.99/50.55	1.75/44.45	0.28 X 0.50/7.11 X 12.70	2.56/65.02	3.56/90.42	2.81/71.37	1.75/44.45	0.07/1.78
C2A	3.94/100.08	2.12/53.85	2.00/50.80	0.34 X 0.50/8.64 X 12.70	2.75/69.85	3.75/95.25	2.94/74.68	2.13/54.10	0.07/1.78
C2AA	3.53/89.66	2.53/64.26	1.75/44.45	0.41 X 0.68/10.41 X 17.27	2.50/63.50	4.31/109.47	3.42/86.87	3.53/89.66	0.07/1.78

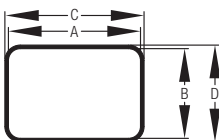
## Type B Flange



Type B	C1	D1	Q	Slots	G	S	T1	L	M
MODEL#	INCHES/ mm	INCHES/ mm	INCHES/ mm	INCHES/ mm	INCHES/ mm	INCHES/ mm	INCHES/ mm	INCHES/ mm	INCHES/ mm
C0	1.40/35.56	0.92/23.37	1.88/47.75	0.22 X 0.38/5.59 X 9.65	2.31/58.67	0.50/12.70	—	1.25/31.75	0.06/1.52
C1	2.12/53.85	1.28/32.51	3.00/76.20	0.28 X 0.50/7.11 X 12.70	3.68/93.47	0.56/14.22	—	1.18/29.97	0.06/1.52
C1A	2.09/53.08	2.13/54.10	3.13/79.50	0.38 X 0.63/9.65 X 16.00	4.00/101.60	1.53/38.86	0.69/17.52	2.38/60.45	0.06/1.52
C1B	2.32/58.93	1.91/48.51	3.40/86.36	0.38 X 0.63/9.65 X 16.00	4.24/107.70	1.38/35.05	0.69/17.52	2.38/60.45	0.06/1.52
C2	3.34/84.84	1.91/48.51	4.19/106.43	0.28 X 0.50/7.11 X 12.70	4.81/122.17	1.18/29.97	—	1.75/44.45	0.07/1.78
C2C	3.56/90.42	1.99/50.55	4.19/106.43	0.28 X 0.50/7.11 X 12.70	4.81/122.17	1.18/29.97	—	1.75/44.45	0.06/1.52
C2A	3.94/100.08	2.12/53.85	4.88/123.95	0.34 X 0.50/8.64 X 12.70	5.75/146.05	1.00/25.40	—	2.06/52.32	0.07/1.78
C2AA	3.53/89.66	2.53/64.26	4.62/117.35	0.41 X 0.68/10.41 X 17.27	5.50/139.70	1.72/43.69	1.12/28.45	3.53/89.66	0.07/1.78

\*Flange not available (see other flange types).

## Carrier Cross Sectional View



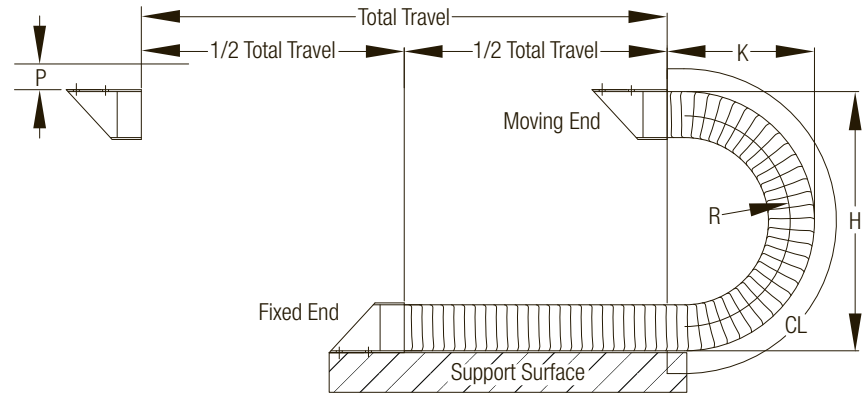
\*\*Galvanized steel is standard. Black Oxide finish is available upon request with extended lead times.  
Please consult Gortrac for availability.



Black oxide finish shown\*\*

# The GORTUBE® Series

The Gortube series entails a range of sizes from small to large. A fully enclosed carrier design from conduit-style square tubing, the Gortube line is excellent for hot chip applications, smooth running operation and for aesthetic applications. Gortube is available in galvanized steel or black anodized finishes.



## Specifications

Standard Mounting bracket arrangement pictured.  
Please consult factory for alternative arrangements

### Travel/2 + CL (+ Offset Distance From Center\*) = Length

\* Gortrac recommends mounting the stationary end of the carrier at the center of travel, minimizing the required length. In cases where center mounting is not possible, add the distance offset from center to the carrier length calculation.

### Gortrac® Recommends:

- 10% Cable Clearance
- 20% Hose Clearance
- 60% Maximum Fill

### How To Create A Part Number:

**Model # - Height - Bracket Arrangement (Fixed End/Moving End) - Construction Type (Riveted Only = RV) - Length"**

Sample Part #: **C3-20-A/B-RV-36"**

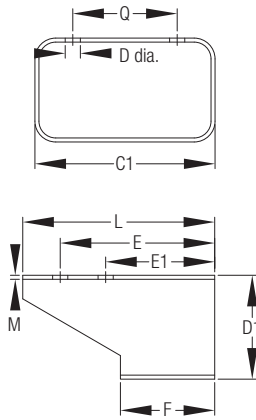
## GORTUBE Series Design Guide

Model#	A	B	C	D	Weight
	INCHES/mm	INCHES/mm	INCHES/mm	INCHES/mm	#/ft./KG/m
C3	4.01/101.85	2.05/52.07	4.33/109.98	2.36/59.94	2.40/3.57
C3A	4.30/109.22	2.92/74.17	4.53/115.06	3.15/80.01	2.40/3.57
C3AA	4.34/110.24	2.16/54.86	4.52/114.81	2.36/59.94	2.80/4.17
C3C	5.31/134.87	3.32/84.58	5.51/139.95	3.54/89.92	3.50/5.21
C4	6.38/162.05	2.83/71.88	6.69/169.93	3.15/79.88	3.80/5.65
C5	6.38/162.05	3.23/82.04	6.69/169.93	3.54/89.92	4.00/5.95
C6	7.56/192.02	3.62/91.95	7.87/199.90	3.93/99.82	4.10/6.10
C7	8.35/212.09	4.02/102.11	8.66/219.96	4.33/109.98	4.60/6.84

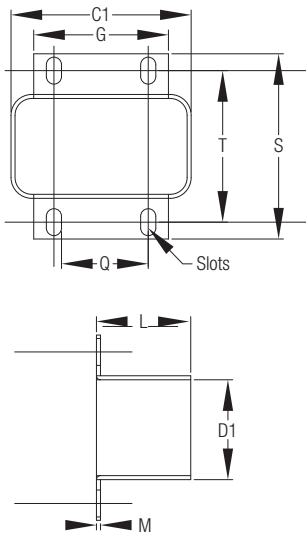
Height	R	H	K	CL	P
	INCHES/mm	INCHES/mm	INCHES/mm	INCHES/mm	INCHES/mm
<b>C3</b> 135	5.50/139.70	13.50/342.90	7.70/195.58	19.00/482.60	2.50/63.50
20	8.90/226.06	20.10/510.54	11.10/281.94	32.50/825.50	3.00/76.20
26	11.80/299.72	26.00/660.40	14.00/355.60	44.50/1,130.30	3.00/76.20
<b>C3A</b> 18	7.30/185.42	17.70/449.58	9.90/251.46	25.00/635.00	3.00/76.20
<b>C3AA</b> 13	5.00/127.00	12.50/317.50	7.30/185.42	19.60/497.84	3.00/76.20
<b>C3C</b> 18	7.00/177.80	18.00/457.20	10.00/254.00	28.30/718.82	3.00/76.20
<b>C4</b> 18	7.30/185.42	17.80/452.12	9.90/251.46	25.00/635.00	3.00/76.20
23	9.90/251.46	22.80/579.12	12.50/317.50	35.50/901.70	3.00/76.20
31	13.80/350.52	30.70/779.78	16.40/416.56	51.00/1,295.40	3.00/76.20
<b>C5</b> 22	9.10/231.14	21.70/551.18	11.90/302.26	36.50/927.10	3.00/76.20
<b>C6</b> 23	9.50/241.30	22.80/579.12	12.50/317.50	38.00/965.20	3.00/76.20
<b>C7</b> 24	9.90/251.46	24.00/609.60	13.00/330.20	39.50/1,003.30	3.00/76.20

## Standard Flange



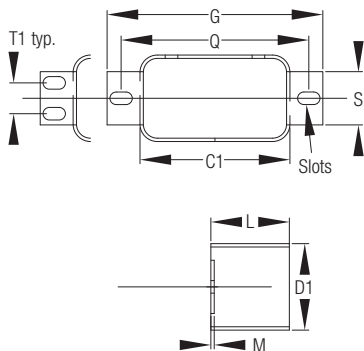
Standard	C1	D1	Q	D	E	E1	F	L	M
MODEL#	INCHES/ mm	INCHES/ mm	INCHES/ mm	INCHES/ mm	INCHES/ mm	INCHES/ mm	INCHES/ mm	INCHES/ mm	INCHES/ mm
C3	4.59/116.59	2.66/67.56	2.75/69.85	0.34/8.74	3.56/90.42	2.50/63.50	2.50/63.50	4.75/120.65	0.10/2.54
C3A	4.84/122.94	3.41/86.61	2.75/69.85	0.41/10.31	3.50/88.90	—	2.38/60.45	4.75/120.65	0.10/2.54
C3AA	4.74/120.40	2.67/67.81	2.75/69.85	0.38/9.53	4.67/118.67	3.42/86.87	3.00/76.20	5.36/136.44	0.10/2.54
C3C	5.75/146.05	3.73/94.74	3.50/88.90	0.38/9.53	5.80/147.32	3.68/93.47	3.50/88.90	6.25/158.75	0.10/2.54
C4	6.97/177.04	3.42/86.87	3.94/100.08	0.34/8.71	4.75/120.65	3.50/88.90	3.12/79.25	6.31/160.27	0.10/2.54
C5	6.97/177.04	4.03/102.36	4.00/101.60	0.34/8.71	6.18/156.97	5.00/127.00	3.68/93.47	7.31/185.67	0.10/2.54
C6	8.16/207.26	4.25/107.95	4.75/120.65	0.41/10.31	6.68/169.67	5.38/136.65	3.94/100.08	8.12/206.25	0.10/2.54
C7	9.00/228.60	4.67/118.62	5.50/139.70	0.41/10.31	7.38/187.45	5.88/149.35	4.15/105.41	8.75/222.25	0.10/2.54

## Type A Flange



Type A	C1	D1	Q	Slots	G	S	T	L	M
MODEL#	INCHES/ mm	INCHES/ mm	INCHES/ mm	INCHES/ mm	INCHES/ mm	INCHES/ mm	INCHES/ mm	INCHES/ mm	INCHES/ mm
C3	4.59/116.59	2.53/64.26	2.38/60.45	0.34 X 0.50/8.64 X 12.70	3.12/79.25	4.31/109.47	3.50/88.90	2.38/60.45	0.10/2.54
C3A	4.84/122.94	3.41/86.61	2.38/60.45	0.34 X 0.50/8.64 X 12.70	3.25/82.55	5.12/130.05	4.38/111.25	4.56/115.82	0.10/2.54
C3AA	4.74/120.40	2.58/65.53	2.37/60.20	0.34 X 0.50/8.64 X 12.70	3.50/88.90	4.39/111.51	3.50/88.90	3.00/76.20	0.10/2.54
C3C	5.73/145.54	3.79/96.27	3.25/82.55	0.38 X 0.56/9.65 X 14.22	4.25/107.95	5.53/140.46	4.75/120.65	3.50/88.90	0.10/2.54
C4	6.97/177.04	3.42/86.87	3.75/95.25	0.34 X 0.50/8.64 X 12.70	4.75/120.65	5.12/130.05	4.31/109.47	3.12/79.25	0.10/2.54
C5	6.97/177.04	4.03/102.36	3.75/95.25	0.34 X 0.75/8.64 X 19.05	4.75/120.65	6.06/153.92	5.00/127.00	3.68/93.47	0.10/2.54
C6	8.16/207.26	4.25/107.95	4.00/101.60	0.41 X 0.75/10.41 X 19.05	5.50/139.70	6.22/158.00	5.16/131.06	3.94/100.08	0.10/2.54
C7	9.00/228.60	4.67/118.62	4.50/114.30	0.41 X 0.75/10.41 X 19.05	6.06/153.92	6.81/172.97	5.81/147.57	4.38/111.25	0.10/2.54

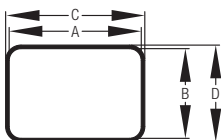
## Type B Flange



Type B	C1	D1	Q	Slots	G	S	T1	L	M
MODEL#	INCHES/ mm	INCHES/ mm	INCHES/ mm	INCHES/ mm	INCHES/ mm	INCHES/ mm	INCHES/ mm	INCHES/ mm	INCHES/ mm
C3	4.59/116.59	2.53/64.26	5.56/141.22	0.34 X 0.50/8.64 X 12.70	6.38/162.05	1.38/35.05	—	2.38/60.45	0.12/3.05
C3A	4.84/122.94	3.41/86.61	5.56/141.22	0.38 X 0.50/9.65 X 12.70	6.38/162.05	2.25/57.15	1.50/38.10	5.14/130.56	0.12/3.05
C3AA	4.74/120.40	2.58/65.53	5.56/141.22	0.34 X 0.50/8.64 X 12.70	6.37/161.80	1.38/35.05	0.88/22.35	3.00/76.20	0.07/1.78
C3C	5.73/145.54	3.76/95.50	6.91/175.51	0.38 X 0.56/9.65 X 14.22	7.80/198.12	2.75/69.85	2.00/50.80	3.50/88.90	0.10/5.54
C4	6.97/177.04	3.39/86.11	7.88/200.15	0.34 X 0.50/8.64 X 12.70	8.68/220.47	1.56/39.62	—	3.12/79.25	0.12/3.05
C5*	—	—	—	—	—	—	—	—	—
C6*	—	—	—	—	—	—	—	—	—
C7	9.00/228.60	4.67/118.62	10.10/256.54	0.38 X 0.63/9.65 X 16.00	10.80/274.32	3.00/76.20	2.25/57.15	4.38/111.25	0.12/3.05

\*Flange not available (see other flange types).

## Carrier Cross Sectional View



\*\*Galvanized steel is standard. Black Oxide finish is available upon request with extended lead times. Please consult Gortrac for availability.



# Armor Plate Options

## Aluminum Lids

Armor plate style aluminum lids offer maximum protection against hot chips and heavy debris. Available in both easy access snap-in and heavy-duty bolted construction, armor plate lids are ideal for severe and challenging applications, such as machine tools, mills, and foundries.



# How to Order

**Travel/2 + Curve Length (+ Offset Distance From Center\*) = Length**

\* Gortrac recommends mounting the stationary end of the carrier at the center of travel, minimizing the required length. In cases where center mounting is not possible, add the distance offset from center to the carrier length calculation.

**Gortrac® Recommends:** 10% Cable Clearance  
20% Hose Clearance  
60% Maximum Fill

### How To Create a GORTUBE® Part Number:

**Model # - Height - Flange Type (Standard/A/B, Applies Both Ends) - Construction Type (Riveted Only = RV) - Length"**

Sample Part #: **C2-22-A/B-RV-36"**

### How To Create an SRCAP/LRCAP/XLAP Part Number:

**Model # - Bar Width - Height - Number of Separators - Length"**

Sample Part #: **SRCAP-5.25-275-2-80" LRCAP-6.00-350-3-100" XL6AP-8.00-375-3-120"**

1. Determine Gortrac cross section desired. Allow 10% clearance over OD's of enclosed cable and 20% over OD's of hoses to prevent binding.
2. Choose radius (Use manufacturer's suggested cable/hose radius).
3. Determine total track length. See the formula above. If fixed flange is not mounted in center of travel, please send a sketch or drawing.

#### If Gortrac Part Number is known:

Gortrac Part #: \_\_\_\_\_

Bracket Information (See Page 7 — Standard arrangement and orientation is 1 + IN)  
Please check your **arrangement** and ..... **orientation** selection below:

1  2  3  4  IN  OUT

#### If carrier parameters are known:\*

Carrier Radius Preferred: \_\_\_\_\_

Gortrac Model #: \_\_\_\_\_

Acceleration: \_\_\_\_\_ Feet/Sec.<sup>2</sup> Maximum Machine Travel Speed: \_\_\_\_\_ Feet/Sec.

Frequency of Travel: \_\_\_\_\_ Cycles/Hour Total Machine Travel: \_\_\_\_\_ Inches

Gortrac Length (see the formula above): \_\_\_\_\_

Cable/Hose Load: \_\_\_\_\_ Operating Temperature: \_\_\_\_\_ ° F

Environment: \_\_\_\_\_

#### If you are currently using another cable carrier, please specify:\*

Model #: \_\_\_\_\_ Length/# of Links: \_\_\_\_\_

#### Contact information:

Date: \_\_\_\_\_ For Quotation Only: \_\_\_\_\_

Date Required: \_\_\_\_\_ Quantity: \_\_\_\_\_

Order Number: \_\_\_\_\_

Company Name: \_\_\_\_\_

Attention: \_\_\_\_\_

Address: \_\_\_\_\_

City: \_\_\_\_\_ State/Prov: \_\_\_\_\_

Country: \_\_\_\_\_

Zip/Postal Code: \_\_\_\_\_

Telephone: \_\_\_\_\_

Fax: \_\_\_\_\_

E-Mail: \_\_\_\_\_

**Please fax this completed form to the number listed below.**

\*More information may be required. A Gortrac representative may contact you.